



TZ Series of A-Coils
featuring Earth-Friendly
R410A **R410A**
earth friendly refrigerant
Refrigerant &
R22 Refrigerant
Compatible



Manufactured for
Thermal Zone®
Philadelphia, PA

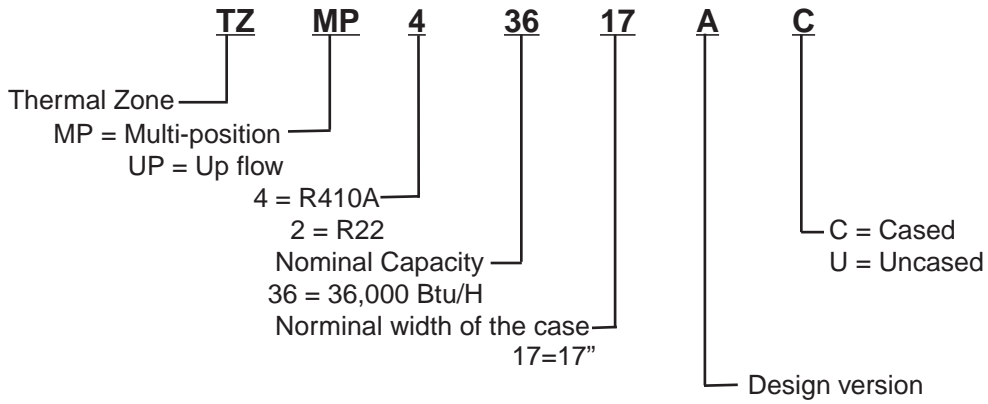
**CASED/UNCASED A-COILS
FOR GAS AND
OIL FURNACES
AIRFLOW CAPACITIES
800-1,725 CFM**

Thermal Zone Indoor Coils are designed for use with Thermal Zone outdoor units. When matched with Thermal Zone outdoor units, the coils provide a nominal cooling capacity range from 24,000 Btu/H to 60,000 Btu/H. Airflow capacity range from 800 to 1,725 CFM.

- Coils are constructed with aluminum fins bonded to internally grooved copper tubing.
- The unit has sweat refrigerant connections.
- The unit provides F.P.T. condensate drain connections.
- Base drain pan is constructed of high grade, heat resistant, corrosion free materials.
- Coils are tested at the factory with extensive leak checks.
- Coils used are certified by UL for safety.
- AHRI certified for system applications with variety of Thermal Zone outdoor units.
The unit is suited for both new installations or add on air conditioning, R22 refrigerant or R410A refrigerant depending on the model designation.
- TZUP is designed for Upflow applications.
- TZMP is designed for either
 - Upflow applications, or
 - Draw-through downflow applications (blower is below the coil), or
 - Horizontal airflow applications (a splash guard may be needed, see installation instruction for details).



MODEL NUMBER DATA



AVAILABLE STANDARD MODELS

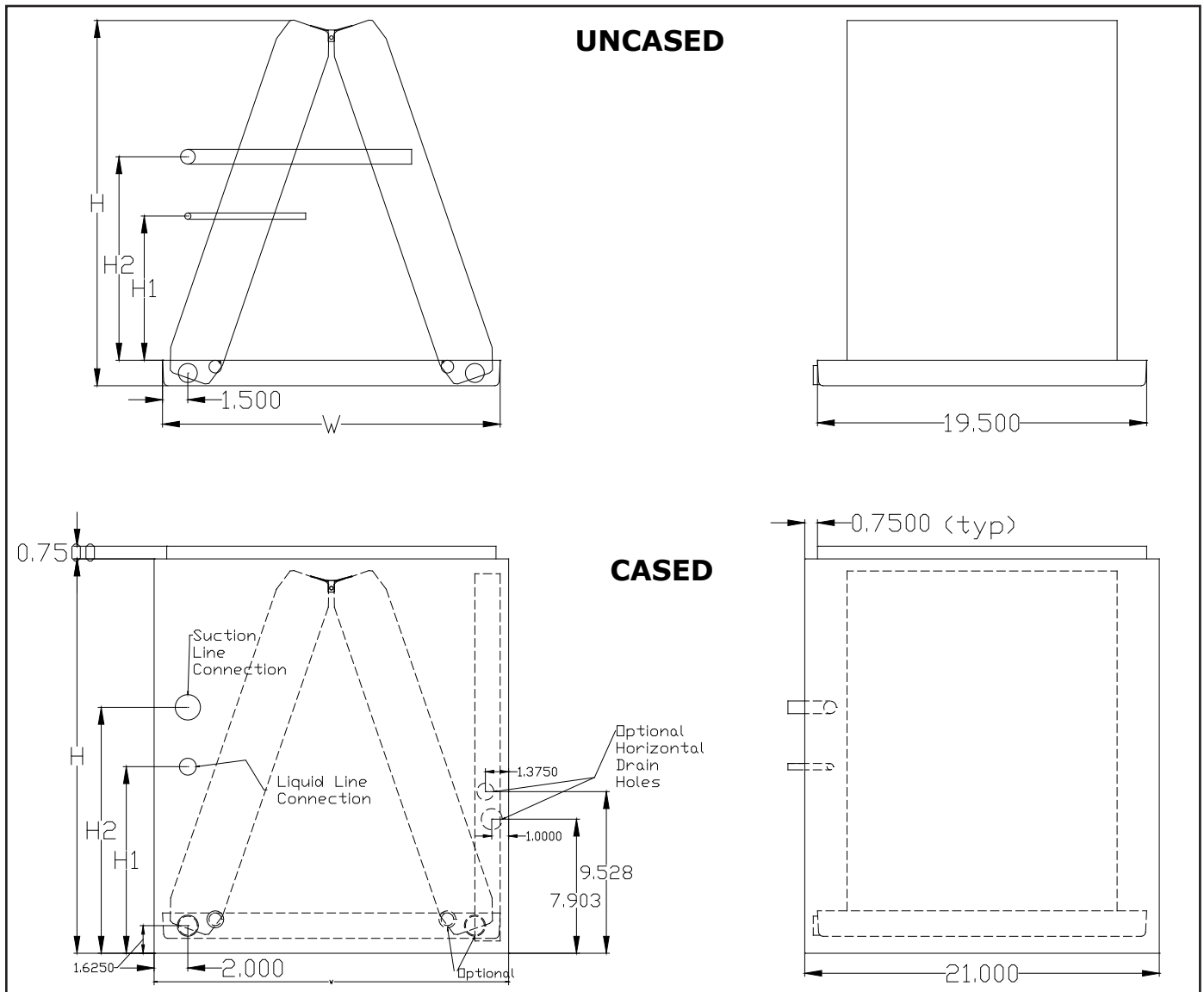
R410A Models	R22 Models
TZ**42414**	TZ**22414**
TZ**42417**	TZ**22417**
TZ**43617**	TZ**23617**
TZ**43621**	TZ**23621**
TZ**44817**	TZ**24817**
TZ**44821**	TZ**24821**
TZ**44824**	TZ**24824**
TZ**46021**	TZ**26021**
TZ**46024**	TZ**26024**

Special models may be available upon request.

COIL SPECIFICATIONS / AIRFLOW PRESSURE DROP

Coil Model	Design Airflow	Static Pressure Drop
	CFM	inches W.C.
TZ***2414**	800	0.11
TZ***2417**	800	0.09
TZ***3617**	1050-1175	0.35
TZ***3621**	1050-1175	0.30
TZ***4817**	1425-1575	0.27
TZ***4821**	1425-1575	0.23
TZ***4824**	1425-1575	0.22
TZ***6021**	1550-1725	0.23
TZ***6024**	1550-1725	0.18

DIMENSIONS AND WEIGHTS



CASE	MODEL No.	Unit Dimensions					Suction Conn.	Liquid Conn.	WT. (Lbs.)
		W	Depth	H	H1	H2			
UNCASED	TZUP*2414AU	13"	19-1/2"	18"	10	13 1/2	7/8" I.D.	3/8" I.D.	27
	TZUP*2417AU	16-1/2"	19-1/2"	18"	10	13 1/2	7/8" I.D.	3/8" I.D.	28
	TZUP*3617AU	16-1/2"	19-1/2"	14"	4 1/4	7 3/4	7/8" I.D.	3/8" I.D.	34
	TZUP*3621AU	20"	19-1/2"	14"	4 1/4	7 3/4	7/8" I.D.	3/8" I.D.	37
	TZUP*4817AU	16-1/2"	19-1/2"	22"	10	13 1/2	7/8" I.D.	3/8" I.D.	59
	TZUP*4821AU	20"	19-1/2"	22"	10	13 1/2	7/8" I.D.	3/8" I.D.	61
	TZUP*4824AU	23"	19-1/2"	22"	10	13 1/2	7/8" I.D.	3/8" I.D.	77
	TZUP*6021AU	20"	19-1/2"	28"	18	21 1/2	1-1/8" O.D.	3/8" I.D.	97
	TZUP*6024AU	23"	19-1/2"	28"	18	21 1/2	1-1/8" O.D.	3/8" I.D.	97
CASED	TZ***2414AC	14-1/2"	21"	19-1/4"	11	14 1/2	7/8" I.D.	3/8" I.D.	42
	TZ***2417AC	17-1/2"	21"	19-1/4"	11	14 1/2	7/8" I.D.	3/8" I.D.	43
	TZ***3617AC	17-1/2"	21"	19-1/4"	5 1/4	8 3/4	7/8" I.D.	3/8" I.D.	49
	TZ***3621AC	21"	21"	19-1/4"	5 1/4	8 3/4	7/8" I.D.	3/8" I.D.	52
	TZ***4817AC	17-1/2"	21"	23-1/4"	11	14 1/2	7/8" I.D.	3/8" I.D.	72
	TZ***4821AC	21"	21"	23-1/4"	11	14 1/2	7/8" I.D.	3/8" I.D.	76
	TZ***4824AC	24-1/2"	21"	23-1/4"	11	14 1/2	7/8" I.D.	3/8" I.D.	92
	TZ***6021AC	21"	21"	32-1/4"	19	22 1/2	1-1/8" O.D.	3/8" I.D.	112
	TZ***6024AC	24-1/2"	21"	32-1/4"	19	22 1/2	1-1/8" O.D.	3/8" I.D.	112

1. Main drain connection: 3/4" FPT; Emergency drain connection: 1/2" FPT.

2. For Multi-position coils, weight is approx. 6 lbs plus the weight for the corresponding regular cased coil.

Before proceeding with installation, refer to installation instructions packaged with each model, as well as complying with all Federal, State, Provincial, and Local codes, regulations and practices.

"In keeping with its policy of continuous progress and product improvement, the right is reserved to make changes without notice."